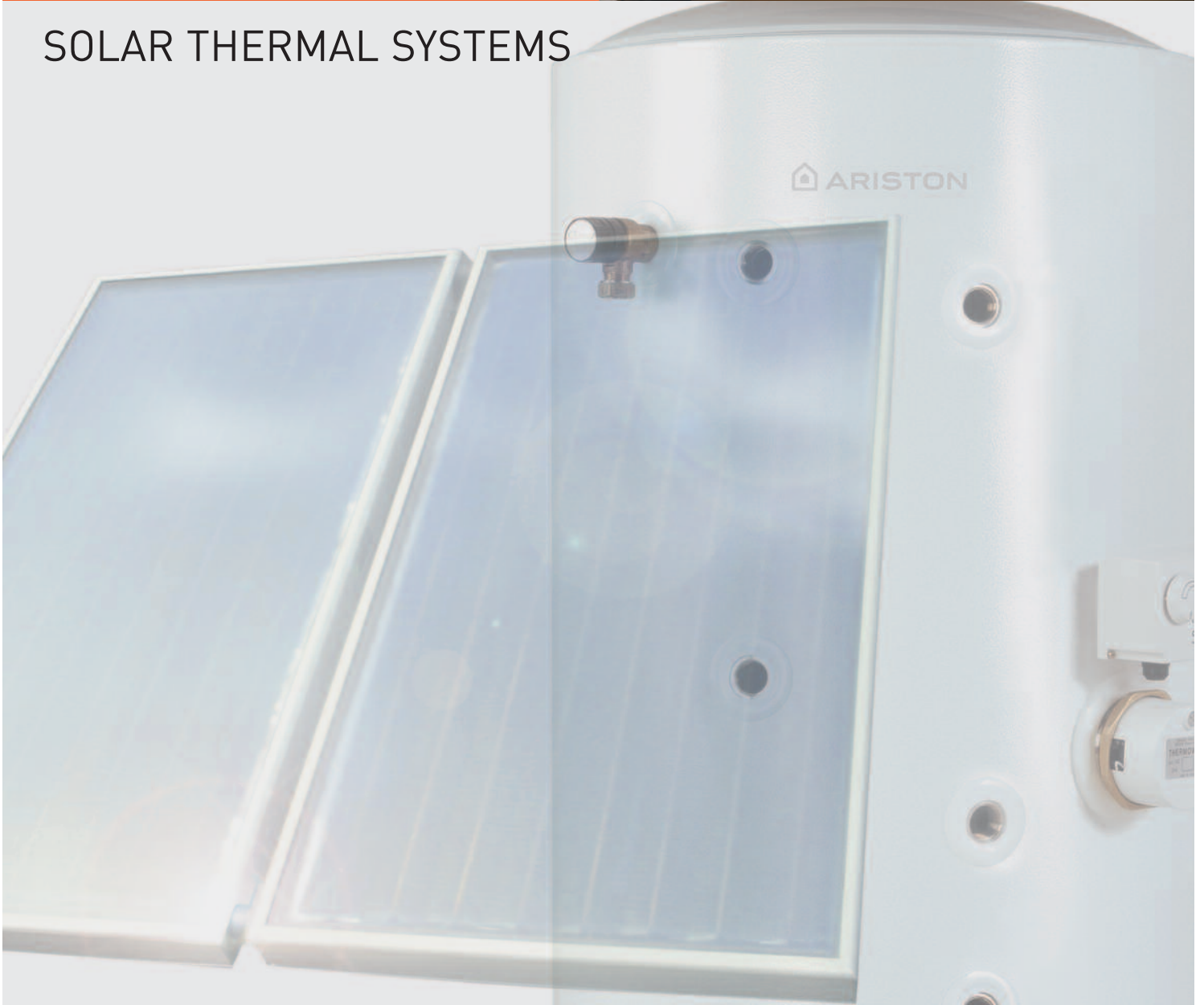




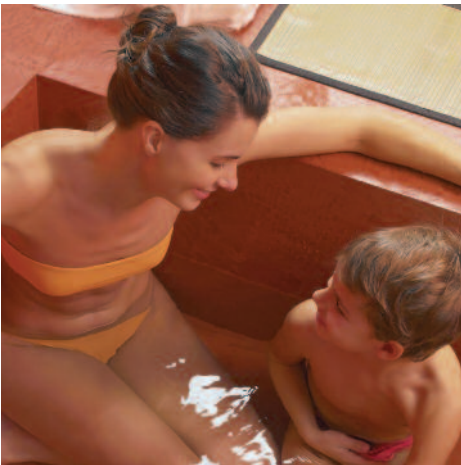
SOLAR THERMAL SYSTEMS



Solar Thermal.

An informed choice

*grant
approved*



Solar Hot Water Heating

The Ariston SOLARcomfort system has three main components: solar panels, pump station and solar controller. In addition the system requires a hot water storage cylinder. Ariston supplies a stainless steel, twin coil unvented cylinder (Primo Twin), giving a complete solar package from a single source.

The solar panels absorb the heat from the sun's rays and use this to heat the heat transfer medium (a mixture of water and glycol). The fluid is circulated by a pump, the operation of which is controlled by the solar controller.

The heated fluid circulates around a heat exchanger in the hot water storage cylinder. The Ariston Primo Twin has two heat exchangers (coils). The lower coil is heated by the solar circuit and the upper coil by an auxiliary heat source (typically a gas, oil or electric system boiler).

SOLARcomfort

Ariston is offering SOLARcomfort in a range of 4 distinct packages: 'On-tile' – 2 panel or 3 panel systems and 'Flat Roof/Ground' – 2 panel or 3 panel systems. Each system can be connected to an Ariston Primo Twin Coil Cylinder (200l for 2 panels and 300l for 3 panels); giving a complete solution from a single source.

Solar Panels

The solar panels (collectors) can be mounted on either a sloping or flat roof or the ground.

The roof mounting system has been specifically designed for UK roofs. The inherently flexible fixing kit is supplied as standard with the panels. It removes the need to select and purchase additional roof fixings.

The flat roof/ground frame is easy to assemble and extremely rigid.

Whichever option is selected, you can be assured of a system which will last for many, many years.



Solar Controller

The differential temperature solar controller is simple to install and operate, with pleasing aesthetics. It is the 'brains' of the system and ensures effective operation and control of the pump. The illuminated digital display shows the current status of the system and the current temperatures in both the solar panels and the hot water store.

The householder can easily see how the system is operating and with an optional, additional sensor see how much energy has been saved.

Renewable energy for domestic hot water



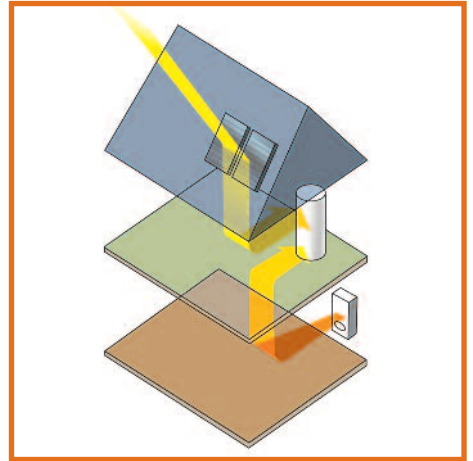
Pump Station

The pump station circulates the water/glycol fluid around the solar circuit. The pump will only operate when there is sufficient heat in the panels to raise the temperature of the water in the cylinder. The pump will not operate when the cylinder is at its preset temperature, or when to do so would result in the cylinder being cooled.

The compact design of the pump station allows it to be easily and quickly fitted in small spaces.

Primo Twin

The Primo Twin stainless steel, unvented cylinders are designed to complement SOLARcomfort. The cylinders are unique to the UK in that they have not only two coils but also two immersion heaters, making them suitable for all types of auxiliary heating. The 200l cylinder and 2 panel system is designed for 3-4 person households and the 300l and 3 panel system is designed for larger households.



SOLAR *comfort* Benefits

- A complete, fully integrated solar thermal package from the world's leading manufacturer of hot water heating systems
- High quality, high efficiency panels
- Flexible and easily installed roof mounting system
- Optional flat roof/ground fixing frame
- Easy to install and commission solar controller
- On-site, nationwide guarantee support

SOLARCOMFORT 2 & 3 PANEL



ON-TILE

2 PANEL ON-TILE
3 PANEL ON-TILE

5 FREE
5 year
guarantee
ON COLLECTORS



2 PANEL SYSTEM



FULL CIRCULATION



ON-TILE INSTALLATION



2 PANEL SUITABLE FOR 3-4 PEOPLE



3 PANEL SUITABLE FOR 5-6 PEOPLE

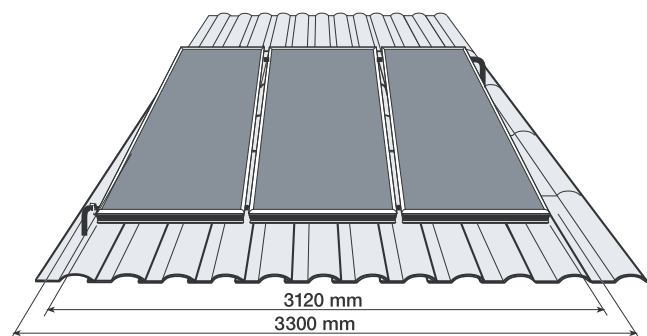
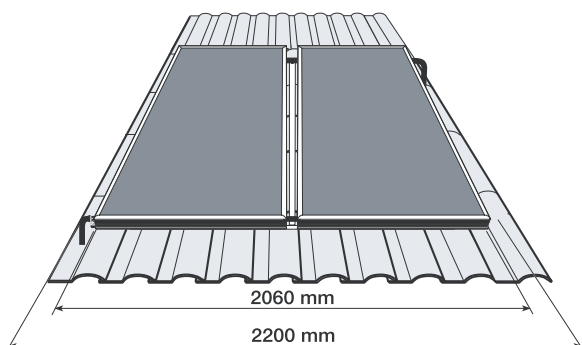
- COMPLETE PACKAGE
 - SOLAR COLLECTORS
 - ROOF FIXING KIT
 - SOLAR CONTROLLER
 - PUMP STATION
 - FITTINGS
- READY TO FIT OUT OF THE BOX
- SINGLE ROOF KIT SUITABLE FOR POPULAR TILE TYPES, INC SLATE
- 2 PANELS TO BE USED WITH 200L PRIMO TWIN COIL CYLINDER
- 3 PANELS TO BE USED WITH 300L PRIMO TWIN COIL CYLINDER

*complete
ready to fit
package*

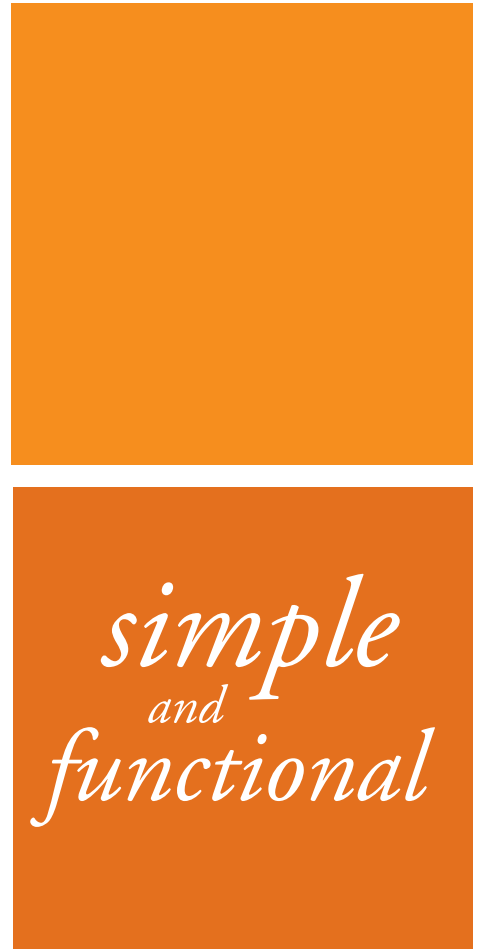
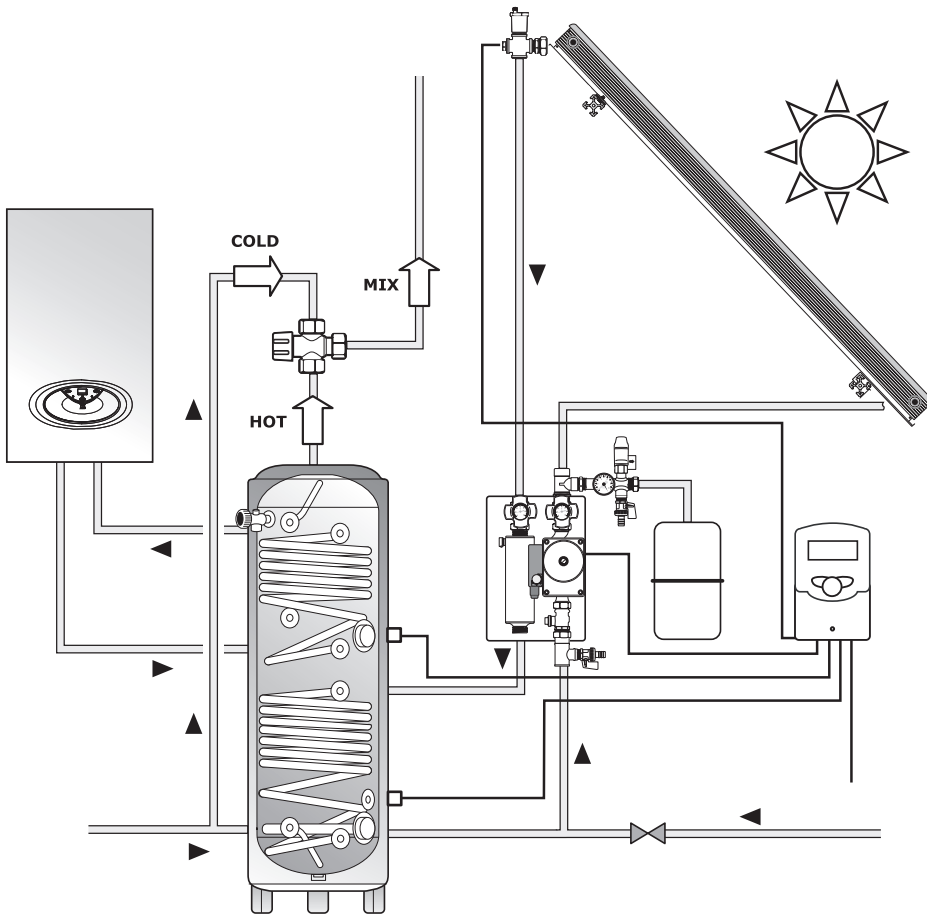


System Components

		2 PANEL ON-TILE	3 PANEL ON-TILE
Solar Collectors	Qty	2	3
Roof Fixing Kit	Qty	1	1
Pump Station	Qty	1	1
Automatic Air Vent	Qty	1	1
Isolating Valve	Qty	1	1
Flow Limiting Valve	Qty	1	1
20 Litres of Glycol	Qty	1	1
Solar Controller (plus 3 sensors)	Qty	1	1
Solar Panel connection kit	Qty	1	1
Expansion Vessel (25L)	Qty	1	1
Flexible pipe connections	Qty	2	2
PRODUCT CODE		3820009	3820010

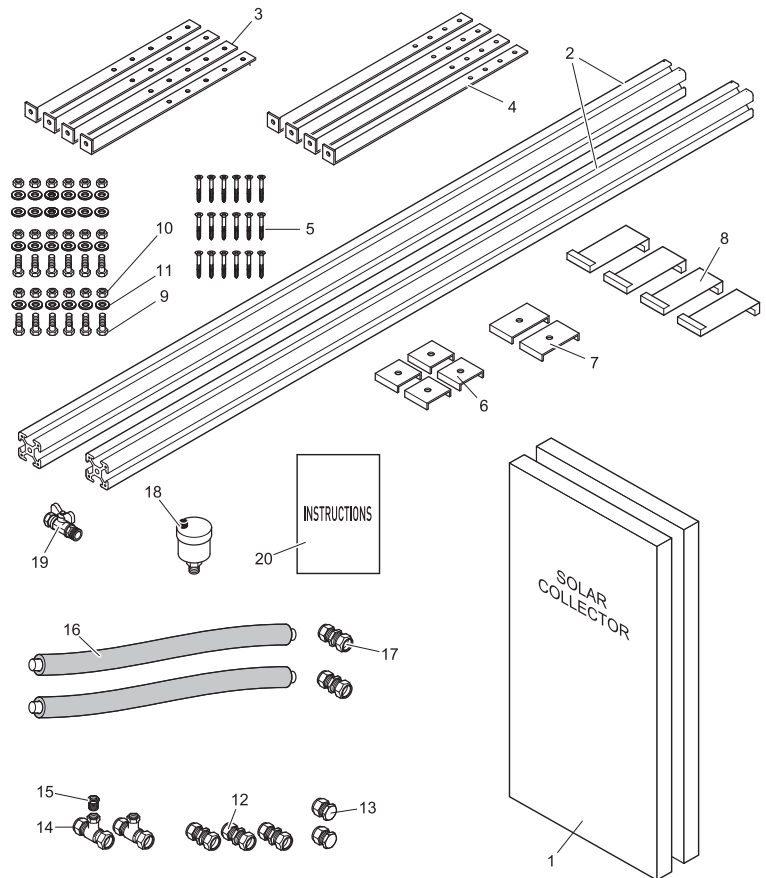


INSTALLATION SCHEME



Component List

	2 PANEL ON-TILE	3 PANEL ON-TILE
1. Solar Collector 1000 x 2000	2	2
2. Support Rails	2	2
3. Short Fixing Straps	4	6
4. Long Fixing Straps	4	6
5. Strap Fixing Screws Ø6 x 50 (No.12 x 2")	12	18
6. Outer Clamps (short)	4	4
7. Inner Clamps (long)	2	4
8. Collector Bottom Brackets	4	6
9. M8 x 25 Hex Stainless Steel Bolts	12	16
10. M8 Hex Stainless Steel Nuts	18	24
11. M8 Stainless Steel Washers	24	34
12. Compression Coupling 22mm	3	5
13. Compression Stop End 22mm	2	2
14. Compression T 22mm x 1/2" x 22mm	2	2
15. 1/2" to 3/8" Reducer Brush	1	1
16. Insulated Flexible Pipe 22mm x 1m	2	2
17. Compression Coupling 22mm	2	2
18. Automatic Air Vent	1	1
19. Isolating Valve 3/8" F x 3/8" M	1	1
20. Instructions	1	1



2 PANEL COMPONENTS SHOWN HERE

SOLARCOMFORT 2 & 3 PANEL



FLAT ROOF/GROUND

2 PANEL FLAT ROOF/GROUND
3 PANEL FLAT ROOF/GROUND

5 FREE
5 year
guarantee
ON COLLECTORS



2 PANEL SYSTEM



FULL CIRCULATION



GROUND/
FLAT ROOF
INSTALLATION



2 PANEL
SUITABLE FOR
3-4 PEOPLE



3 PANEL
SUITABLE FOR
5-6 PEOPLE

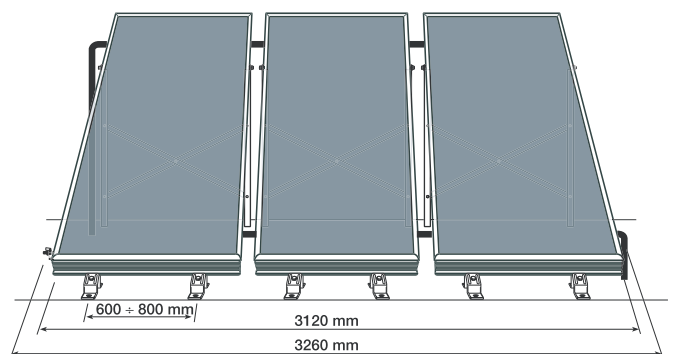
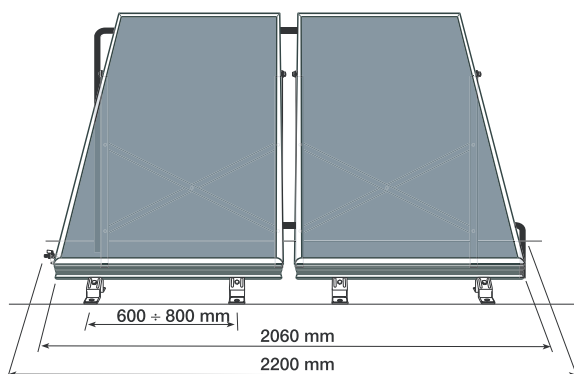
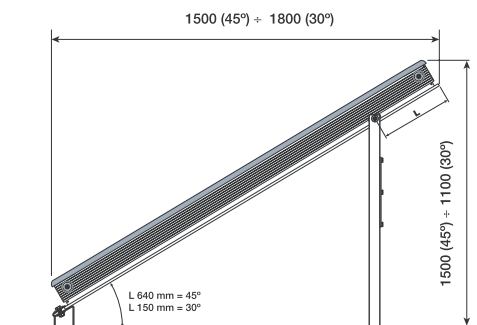
- COMPLETE PACKAGE
 - SOLAR COLLECTORS
 - FIXING FRAMES
 - SOLAR CONTROLLER
 - PUMP STATION
 - FITTINGS
- READY TO FIT OUT OF THE BOX
- SUITABLE FOR FLAT ROOF OR GROUND INSTALLATION
- CAN BE ORIENTATED TO ACHIEVE OPTIMUM PERFORMANCE
- 2 PANELS TO BE USED WITH 200L AND 3 PANELS WITH 300L PRIMO TWIN COIL CYLINDERS

*versatile
and
secure*

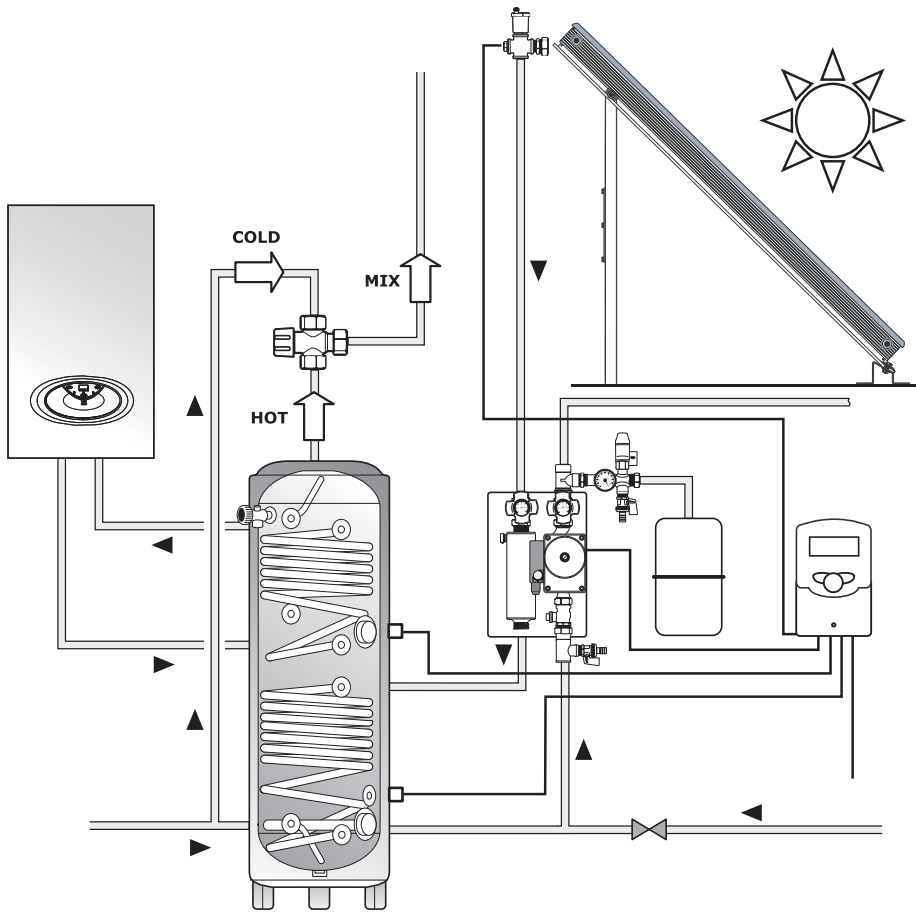


System Components

		2 PANEL FLAT ROOF/ GROUND	3 PANEL FLAT ROOF/ GROUND
Solar Collectors	Qty	2	3
Flat Roof/Ground Frame	Qty	2	3
Frame Connection Kit	Qty	1	2
Pump Station	Qty	1	1
Automatic Air Vent	Qty	1	1
Isolating Valve	Qty	1	1
Flow Limiting Valve	Qty	1	1
20 Litres of Glycol	Qty	1	1
Solar Controller (plus 3 sensors)	Qty	1	1
Solar Panel connection kit	Qty	1	1
Expansion Vessel (25L)	Qty	1	1
Flexible pipe connections	Qty	2	2
PRODUCT CODE		3820011	3820012



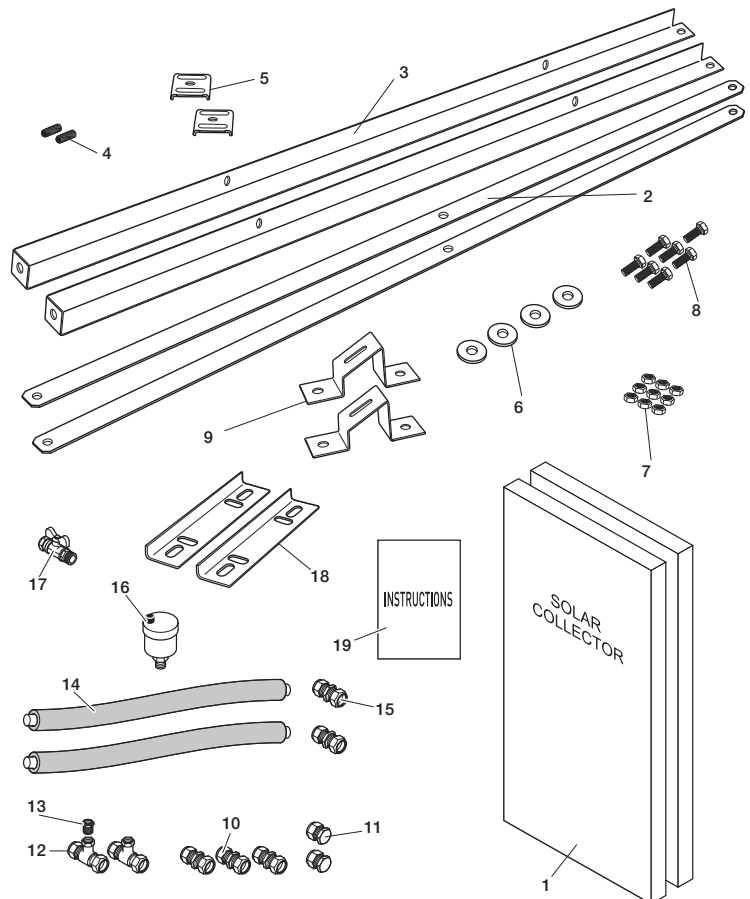
INSTALLATION SCHEME



*low
carbon
technology*

Component List

	2 PANEL FLAT ROOF/ GROUND	3 PANEL FLAT ROOF/ GROUND
1. Solar Collector (1000mm x 2000mm)	2	3
2. Frame Support	4	6
3. Cross-bracing Bars	4	6
4. Stainless Steel Fitting Bolts	4	6
5. Fixing Clamps	4	6
6. M8 Stainless Steel Washers	8	12
7. M8 Hex Stainless Steel Nuts	18	27
8. M8 x25 Hex Stainless Steel Bolts	14	21
9. Feet	4	6
10. Compression Coupling 22mm	3	5
11. Compression Stop End 22mm	2	2
12. Compression T 22mm x 1/2" x 22mm	2	2
13. 1/2" to 3/8" Reducer Brush	1	1
14. Insulated Flexible Pipe 22mm x 1m	2	2
15. Compression Coupling 22mm	2	2
16. Automatic Air Vent	1	1
17. Isolating Valve 3/8" F x 3/8" M	1	1
18. Joining Bars	2	4
19. Instructions	1	1



SOLAR COLLECTOR

5 FREE
5 year
guarantee



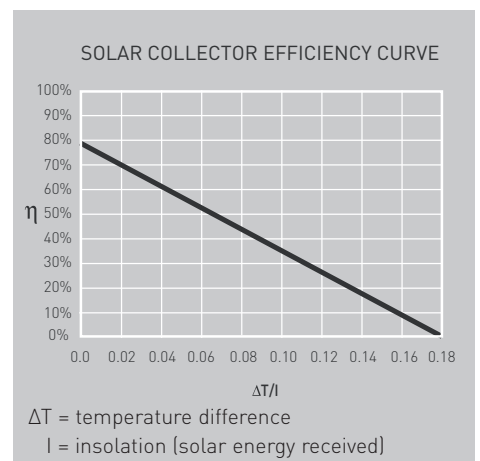
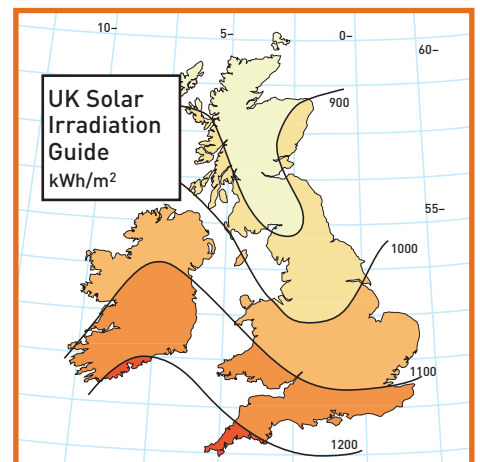
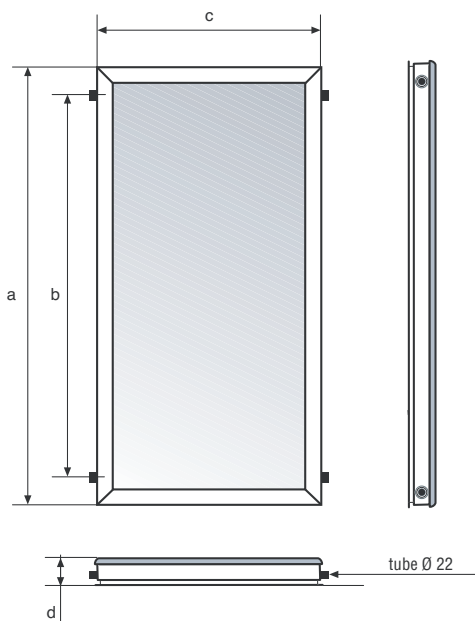
- TOTAL SURFACE AREA 2M²
- CAPTIVE SURFACE AREA 1.8M²
- SPECIAL SOLAR GLASS – HIGH TRANSPARENCY, TEMPERED, ANTI REFLECTIVE AND PRISMATIC
- ABSORBER PLATE: HIGH GRADE COPPER WITH TINOX TITANIUM COATING
- FRAME: GREY ANODISED ALUMINIUM
- INSULATION: 50MM ROCKWOOL
- LOW MOUNTING PROFILE
- EN12975 APPROVED
- 5 YEAR GUARANTEE

*respect
the
environment*

Technical Information

		SOLAR COLLECTOR
Weight	kg	38
Pressure	bar	6
Collector connection diameter	mm	22
Collector liquid capacity	lt	1.5
Absorption	%	95
Reflection	%	5
PRODUCT CODE		800201

	SOLAR COLLECTOR
a mm	2000
b mm	1885
c mm	1000
d mm	100



CONTROLLER

AST 100

2 FREE
2 year
guarantee

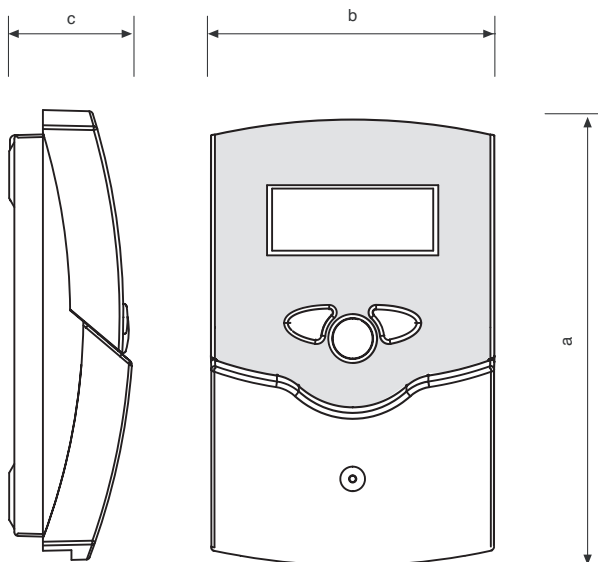


- COMPACT, STYLISH DESIGN
- EASY TO INSTALL AND COMMISSION
- USER FRIENDLY OPERATION
- ILLUMINATED, EASY TO READ DISPLAY
- 3 TEMPERATURE SENSORS AS STANDARD
- OPTIONAL ENERGY MONITORING FACILITY
- 2 YEAR GUARANTEE

*user
friendly*

Technical Information

		SOLAR CONTROLLER
Height	a mm	172
Width	b mm	110
Depth	c mm	49
Input	Up to 4 temperature sensors	
Output	Two standard relays	
Power Supply	210-240V AC	
PRODUCT CODE	3820000	



PUMP STATION

2 FREE
2 year
guarantee

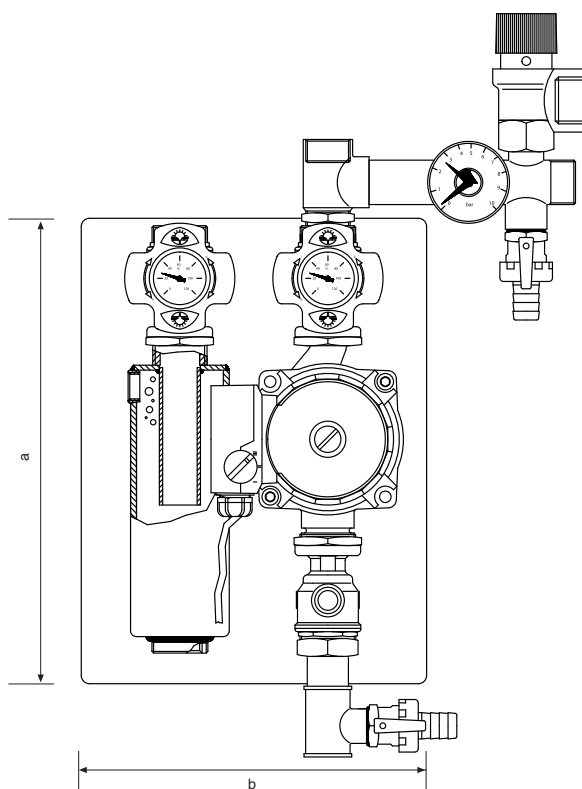


- COMPACT DESIGN
- SIMPLE WALL MOUNTING BRACKET
- EXPANDED PROPYLENE INSULATION
- SYSTEM FLOW AND RETURN GAUGES
- COMPLETE WITH NON-RETURN VALVES
- INTEGRATED DEAERATOR
- 2 YEAR GUARANTEE

*neat
and
compact*

Technical Information

		PUMP STATION
Height	a mm	290
Width	b mm	210
Depth	c mm	175
Max. Pressure	bar	8
Max. Temperature	°C	120
Insulation		Black EPP
Connection		3/4" BSP (F)
PRODUCT CODE		800237



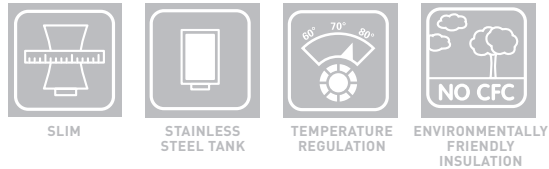
PRIMO TWIN



INDIRECT TWIN COIL: ITSI 210, 300

FLOOR STANDING SOLAR COMPATIBLE
UNVENTED CYLINDERS

25 FREE
25 year
guarantee



- QUALITY STAINLESS STEEL TANK, 12 BAR PRESSURE TESTED.
- ENVIRONMENTALLY SOUND AND HIGHLY EFFICIENT THERMAL INSULATION
- ALL PLUMBING AND ELECTRICAL CONNECTIONS WITHIN A 90° ANGLE
- EXCLUSIVE HIGH QUALITY 'ORANGE-PEEL' OUTER FINISH
- TWIN INDIRECT COILS FOR DUAL HEAT SOURCE APPLICATIONS
- TWIN IMMERSION HEATERS SUPPLIED WITH REGULATION THERMOSTAT AND DUAL POLE THERMAL CUT-OUT

- CYLINDER THERMOSTATS WITH EXTERNAL REGULATION
- UNIQUE COIL DESIGN ALLOWS FULL QUANTITY OF WATER TO BE HEATED
- FACTORY FITTED 1/2" T&P RELIEF VALVE
- UNVENTED CONTROL KIT SUPPLIED WITH CYLINDER AT NO ADDITIONAL COST
- SIMPLE INSTALLATION
- 25 YEAR TANK GUARANTEE (2 YEAR GUARANTEE ON ELECTRICAL COMPONENTS)

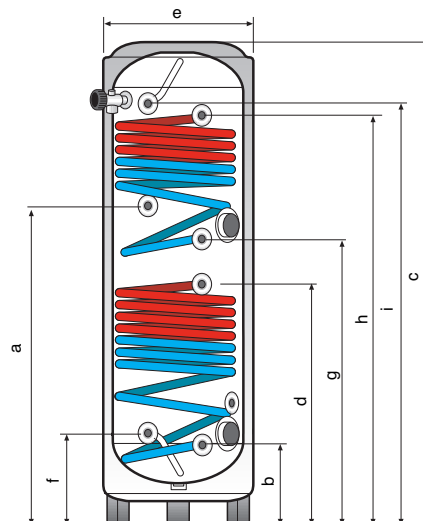
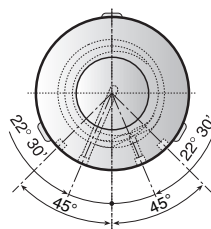


Technical data - Overall dimensions

		ITSI 210	ITSI 300		ITSI 210	ITSI 300
Nominal capacity	l	200	300	a mm	940	1215
Weight empty	kg	44	60	b mm	225	260
Weight full	kg	244	360	c mm	1475	1790
Indirect coil rating (top)	kW	20.5	20.5	d mm	625	800
Indirect coil rating (bottom)	kW	20.5	26.7	e mm	505	560
Coil surface area (top)	m ²	0.75	0.75	f mm	265	275
Coil surface area (bottom)	m ²	0.75	0.90	g mm	806	1116
Indirect reheat time* (ΔT= 50°C)	min.	34	40	h mm	1206	1516
Voltage	V	240	240	i mm	1220	1556
Power	kW	3+3	3+3			
Immersion reheat time** (ΔT= 50°C)	min.	240	350			
Max. temperature.	°C	70	70			
Heat loss (kWh/24h) 60°C		2.40	2.85			

PRODUCT CODE	3060039/3829007	3000056/3829008
--------------	-----------------	-----------------

* Based on bottom coil only
** Based on single heating element



CLAS HE & GENUS HE SYSTEM

CLAS 18, 24 & 30
GENUS 24 & 30

WALL-HUNG HIGH EFFICIENCY
GAS SYSTEM BOILERS

2 FREE
2 year
guarantee



COMPACT
DIMENSIONS



QUIET
OPERATION



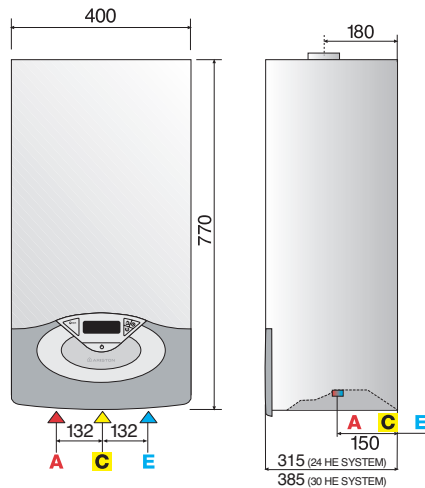
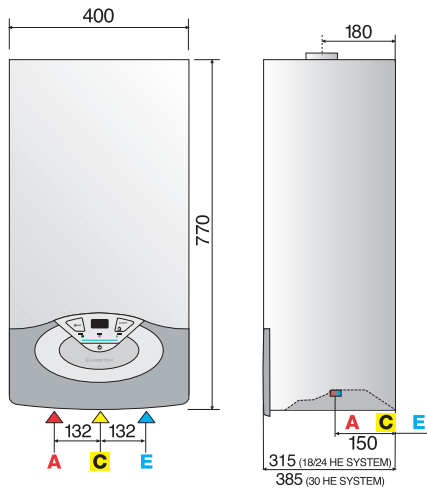
AUTO



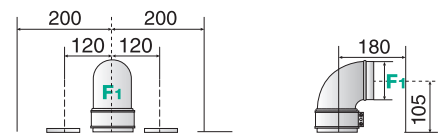
SAVING

- SEDBUK BAND A
- AVAILABLE IN THREE & TWO OUTPUTS
- COMPREHENSIVE RANGE OF WIRED AND WIRELESS CONTROLS
- UNIQUE 'AUTO' FUNCTION OPTIMISES EFFICIENCY OF BOILER AND SYSTEM
- AUTO-DIAGNOSTIC SYSTEM
- SIMPLE MAINTENANCE WITH ACCESS FROM THE FRONT OF THE APPLIANCE

- ANTI-FROST DEVICE
- BUILT-IN AUTOMATIC BY-PASS
- BUILT-IN SEVEN DAY DIGITAL TIME CLOCK
- INCLUDES CONNECTION KIT AND FILLING LOOP
- CLIP-ON CONNECTION KIT COVER AS STANDARD

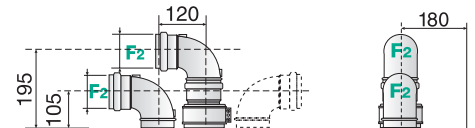


Coaxial exhaust



Ø60/100: up to 12m (24kW)
Ø80/125: up to 24m (24kW)

Twin pipe exhaust



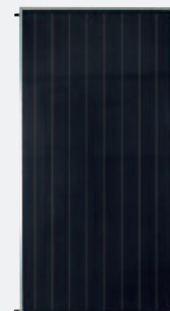
Ø80/80: up to 60m (24kW)

LEGEND

- A: Central heating flow 22mm compression
- C: Gas inlet 15mm compression
- E: Central heating return 22mm compression
- F: Flue (Ø mm)
- F1: 60/100 - 80/125
- F2: 80

Solar Accessories

Description	Product Code
Solar Panel For use with dedicated fixing systems	800201
Roof Fixing Kit - 2 Panel Complete on-tile roof fixing kit for 2 solar panels	3107024
Roof Fixing Kit - 3 Panel Complete on-tile roof fixing kit for 3 solar panels	3107025
Pump Station For use with forced circulation systems	800237
Solar Controller & 3 Temperature Sensors Differential temperature solar controller	3820000
2 Solar Panel Connection Kit Inter-panel connection kit for use with 2 panels	3820004
3 Solar Panel Connection Kit Inter-panel connection kit for use with 3 panels	3820005
Flat Roof/Ground Fixing Frame - 1 Panel Mounting frame for 1 solar panel	800220
Ground Frame - Fitting Connections Connection kit for multiple panels/frames	800223
3/8" Solar Automatic Air Vent High temperature and glycol resistant valve	3820006
Isolation Valve for Air Vent High temperature and glycol resistant valve	3820007
Flow Limiting Valve 0.5-7 l/min For use with solar pump station	12061068
20l Glycol Pre-mixed anti-freeze for use with solar panels	3820001
10l Glycol Pre-mixed anti-freeze for use with solar panels	3820002
Expansion Vessel & Bracket 25l (Wall Hung) For use with 2 and 3 panel standard systems	4448666451
Expansion Vessel & Bracket 35l (Floor Standing) For use with 2 and 3 panel extended pipework systems	12002737
Expansion Vessel Hose For use with expansion vessel	12061959
Solar Temperature Probe & Pocket Additional sensor for use with solar controller energy monitoring function	3820003
Flexible Pipe Connections Connections between panels and system pipework	3087014
Carrying Handles For easy transportation of solar panels	3107023
Manual Filling Pump For manual filling of system pipework	800235



ARISTON THERMO GROUP

Ariston Thermo UK Ltd
Ariston Building
Hughenden Avenue
High Wycombe
Bucks HP13 5FT
Telephone 01494 755600
Fax 01494 459775

Technical Advice & Customer Service
Fax 01494 463066
techhelpdesk.uk@aristonthermo.com
info.uk@aristonthermo.com

www.ariston.co.uk

Professional Team Limited
Plaza 256
Blanchardstown Corporate Park 2
Ballycoolin
Dublin 15
Telephone 01 899 1500
Fax 01 899 1501

Technical Advice & Customer Service
Fax 01 899 1501
techhelpdesk.ie@aristonthermo.com
info.ie@aristonthermo.com

www.aristonthermo.ie

